

Numerical Control

CybTouch 6 for Shears

The CybTouch 6 for shears is specifically intended for sheet metal cutting. Two versions are available:

- The CybTouch 6 G with 16 inputs and 12 outputs.
- The CybTouch 6 W with 8 inputs and 8 outputs.
- Both CybTouch 6 versions manage either adjustable cutting angle shears or swing shears functionalities and are available in box or panel version.



Picture ratio between box and panel control not 1:1 See dimensions.

Options



Option: Wireless *RLink* USB key for PC



Option: Earthing kit to easily mount and earth the cable shields.

Ordering information

CybTouch 6 W / 1 axis / 8 inputs / 8 outputs

In box version, white color
In large panel version
In small panel version

S-CBT-61WA8/BW
S-CBT-61WA8/P
S-CBT-61WA8/S

CybTouch 6 G / 1 axis / 16 inputs / 12 outputs

In box version, white color
In large panel version
In small panel version

S-CBT-61GA12/BW
S-CBT-61GA12/P
S-CBT-61GA12/S

NB, The emergency button is included in the delivery of the CybTouch in box version and the large panel version.

Earthing kit (option), see above

S-OPT-CBT6/EKIT

RfLink USB key for PC (option), with *CybTouchTools* software

S-OPT-RFLINK

Advantages:

FOR OEM

- Inputs/outputs for direct operation of valves for blade movements, blade gap, cutting angle, cutting length and system pressure without passing through relays.
- Internal timers for smooth valve commutation.
- Reduced electrical wiring, electrical cabinet size and equipment for lower start-up costs on each shear.
- Flexible software for configuration of axes, inputs-outputs and auxiliary functions according to specific needs.
- Screen content can be simplified to its minimum by removing all unnecessary functions, buttons or information.
- Quick set-up thanks to wizards for adjusting axes, gains, speeds, rake angle, blade gap and indexes.
- New indexing functions reduce the quantity of switches and wiring, while providing more reliable indexing.
- CybTouch 6 accepts encoders with or without complementary signals.
- RFlink, a wireless radio frequency transmission integrated in the CybTouch, allows easy parameters backups or firmware upgrades. This provides modern, fast and simple communication, with no need to open the housing, no need of connecting cable *.

FOR END USER

- Very intuitive, no explanations required. Operator immediately feels confident and comfortable using this control.
- Immediate easy use of the shear for any new user thanks to EasyCut page.
- Energy saving thanks to integrated Eco mode function that automatically stops the main pump after x minutes of inactivity.
- Full touch screen human machine interface offers the best of modern technology.
- Colors are vivid but not aggressive, providing excellent readability thanks to the large characters and big buttons.
- Recurrent programs for producing complex parts can be created and memorized for easy reuse.
- Pop-up messages for security or external malfunctions.
- RFlink wireless radio frequency data communication allows backup and restoring operations without any cable connection to the numerical control *.
- Many languages available directly in the CybTouch 6.
- Internal backup located in a special safe memory allows the user to restore at any time the original parameters; machine is running again in an extremely short time in the event of a memory loss or involuntary parameter modification.

** Need RFlink USB key (option)*

Axis and Shear Features

The below elements are available and can be configured on CybTouch by the OEM. However, some functions of course depend on the machine construction.

 **Available features depend on the number of available axes and inputs/outputs.**

Back / front gauge axis
DC brushless or frequency converter.
Auto-tuning of the axis.
Configurable retraction of the back gauge during the cutting process.
Back gauge management or front gauge management.
Indexing in several modes.
Inch / mm.

Shear features	
CybTouch 6 G	CybTouch 6 W
Automatic management of: <ul style="list-style-type: none"> • Blade gap, • Cutting angle and cutting length. 	Automatic management of: <ul style="list-style-type: none"> • Blade gap OR cutting angle.
System pressure management with ramp for pressure proportional valve.	NA
Cutting length management by: <ul style="list-style-type: none"> • Potentiometer, or • Encoder. See table below*. 	Cutting length management by: <ul style="list-style-type: none"> • Timer.
Blade gap with: <ul style="list-style-type: none"> • 1, or • 2 actuators. 	Blade gap with: <ul style="list-style-type: none"> • 1 actuator (motor).
Foldaway: <ul style="list-style-type: none"> • Mechanical, or • Hydraulic. 	Foldaway: <ul style="list-style-type: none"> • Mechanical.
Linearization of the blade gap curve for optimal positioning accuracy.	
EasyCut page at start up for easy use.	
Management of delays between the pressure valve (ON-OFF) and the direction valves.	
Up to 10 pre-programmable types of materials.	
Backgauge clearance during the cutting process (yes / no).	
Sequence repetition.	
AutoCut (Flying Cut or continuous cut) function.	
Screen button and outputs for sheet support with 2 or 3 positions.	
RTS (Return to sender) function.	
Screen button for cutting laser / light guide.	
Part counter with auto-stop.	
Time and stroke counters for oil service.	
Sheet offset (multiple-cuts in the middle of the machine with reduced TDC).	
Eco mode.	
Pump start button.	

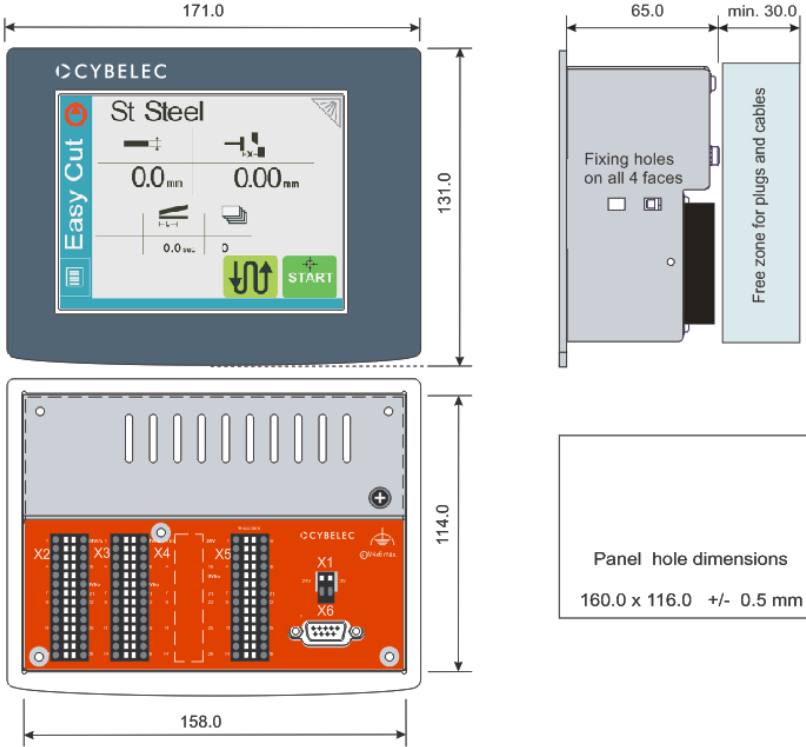
Only possible potentiometer and encoder combinations			
CybTouch 6 G		CybTouch 6 W	
<ul style="list-style-type: none"> • 1 blade gap = potentiometer. • Cutting length&angle = potentiometer. • Back gauge or front gauge = encoder. 	<ul style="list-style-type: none"> • 1 blade gap = potentiometer. • Cutting length&angle = encoder. • Back gauge or front gauge = encoder. 	<ul style="list-style-type: none"> • 2 blade gap = 2 potentiometers. • Cutting length&angle = encoder. • Back gauge or front gauge = encoder. 	<ul style="list-style-type: none"> • 1 blade gap = potentiometer. OR • Cutting length&angle = potentiometer. • Back gauge or front gauge = encoder.

Technical Characteristics

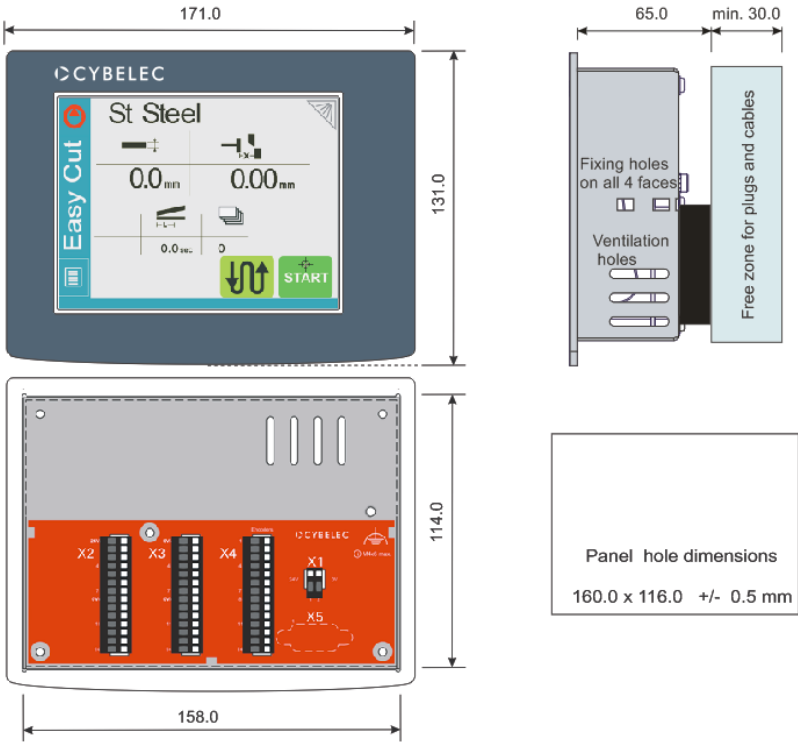
Characteristic	CybTouch 6 G	CybTouch 6 W
Screen	5.7" color graphic CRT screen 640 x 480 pixels with LED backlight control.	
Work memory	SRAM.	
System memory	FLASH memory with firmware update via RLink.	
Communication	Cybelec RLink (radio frequency link).	
Axis	<ul style="list-style-type: none"> • +/- 10VDC management of AC/DC drives and motors. • 0-10 VDC frequency converter for AC asynchronous motors. • SP-SN-HS 2 speeds mode. • SP-SN 0-10 VDC 2 adjustable speeds. 	
Units	Conversion Inch/mm.	
Power supplies	<ul style="list-style-type: none"> • NC: stabilized + 24VDC -15% / + 20% 15W. • digital inputs/outputs: stabilized + 24VDC -15% / + 20% 	
Encoder inputs	5 VDC or 12 VDC* or 24 VDC* (* = external power supply). Complementary signals are not necessary, but recommended.	
Power supplies for encoders	5 VDC (supplied by CybTouch) max. 250 mA for each encoder.	
Optocoupled Digital inputs	16 inputs.	8 inputs.
Analog inputs	2 analog inputs 0-10 VDC. Short circuit proof.	1 analog input 0-10 VDC. Short circuit proof.
Digital outputs	12 outputs. Optocoupled short circuit proof. 24 VDC source mode, max. 3A Possibility to define 2 outputs for doubling the current.	8 outputs. Optocoupled short circuit proof. 24 VDC source mode, max. 3 A Possibility to define 2 outputs for doubling the current.
Analog outputs	4 analog outputs +/-10 VDC, impedance out < 100 Ω, load ≥ 2 kΩ (max 15 mA). Short circuit proof.	1 analog outputs +/-10 VDC, impedance out < 100 Ω, load ≥ 2 kΩ (max 15 mA). Short circuit proof.
Reference voltage	One of the above analog outputs is used for the 10VDC reference.	1 reference voltage 10 VDC (max 20 mA) for external pot. Recommended attached potentiometer value (2k to 5k).
Operating conditions	Min. 5° Celsius, max. 40° Celsius. Relative humidity 10 to 85% noncondensing.	
Dimensions	See diagram next page.	
EC Directives	IEC61131-2	

Dimensions

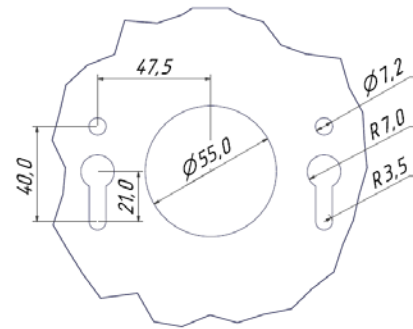
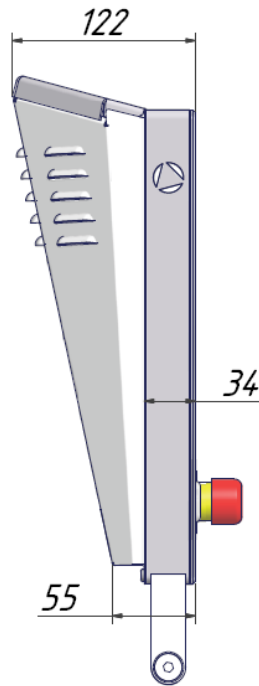
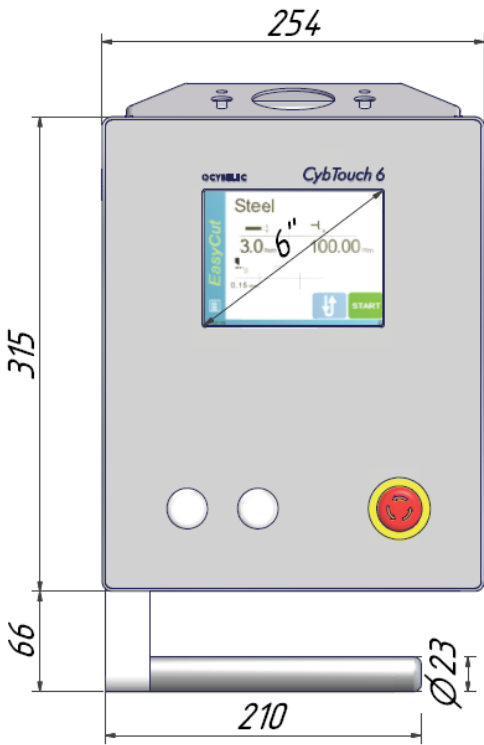
CybTouch 6 G



CybTouch 6 W



Box version



Large panel version

